

Flow assembly for the measurement of dissolved oxygen

FlowFit W COA 260

Plate or wall mounting assembly for the determination of dissolved oxygen traces



Application

The COA 260 flow assembly has been specially developed for use with the oxygen trace membrane sensor OxyMax W COS 71.

Due to its dimensions and materials, it is particularly suitable for processes where there is a minimal concentration of dissolved oxygen, e.g. for monitoring boiler feed water in power plants.

Your benefits

- Easy plate or wall mounting by clip holder
- Automatic deaeration via inlet and outlet orientation
- Fast sensor response time
- Easy removal of the sensor for calibration on air
- All medium contacting parts made of stainless steel 1.4435 (AISI 316 L)



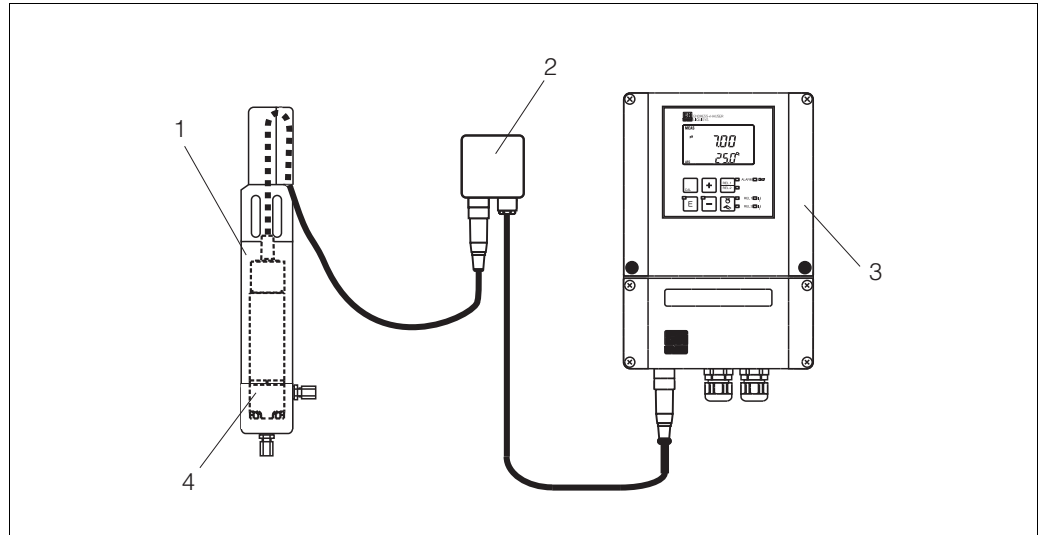
Function and system design

Measuring system

A complete measuring system comprises:

- a FlowFit W COA 260 flow assembly
- an OxyMax W COS 71 oxygen sensor
- a Liquisys M COM 223/253-WX/WS transmitter

Optionally, the VS junction box can be used for cable extension.

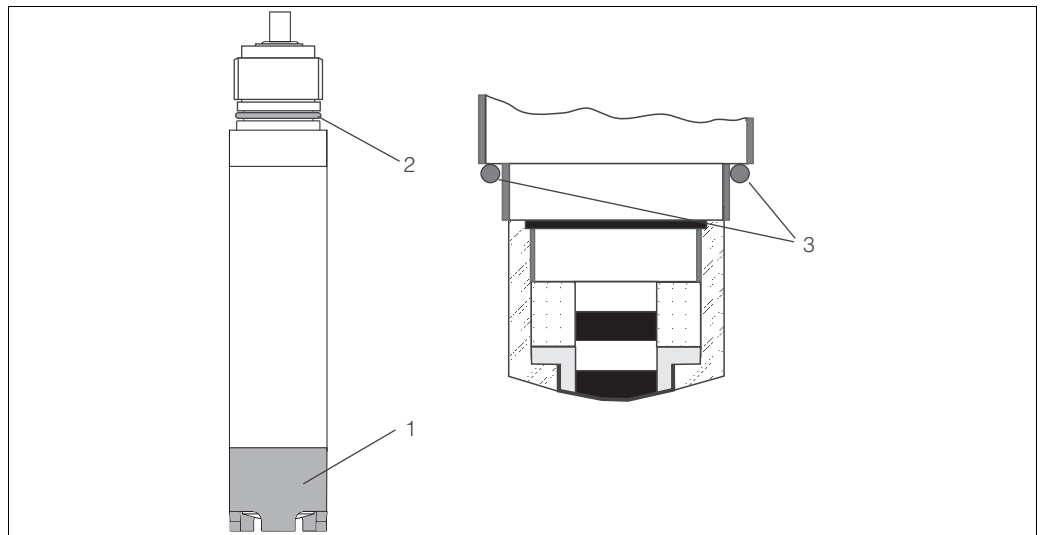


Measuring system example

- 1 FlowFit W COA 260 flow assembly
- 2 VS junction box (only if cable extension is required)
- 3 Liquisys M COM 223/253-WX/WS transmitter
- 4 COS 71 oxygen sensor

Installation

Preparing COS 71 for installation in the COA 260 assembly



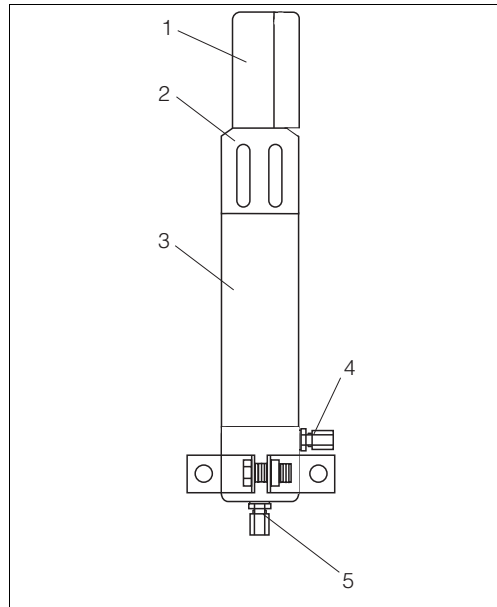
C07-COA260xx-11-07-00-xx-001.eps

Preparation of the COS 71 installation

- 1 Protection basket
- 2 O-Ring at the cable insert
- 3 O-Ring at the sensor head

1. Remove the O-ring at the cable insert (pos. 2). It is not required when installing the COS 71 sensor in the COA 260 flow assembly.
2. Remove the protection basket (pos. 1).
3. Fit the supplied O-ring as shown in the figure above (pos. 3).

Installing COS 71 in the COA 260 assembly



1. Protective cap
2. Pressing screw
3. Intermediary
4. Medium outlet
5. Medium inlet

1. Remove the protective cap and the pressing screw (pos. 1 and 2).
2. Insert the sensor into the assembly. Make sure that the O-ring is seated on the sealing surface of the assembly.
3. Insert the sensor cable into the lateral slot of the pressing screw.
4. Keep the cable straight and tighten the pressing screw.
5. Place the protective cap upon the pressing screw.

Removing COS 71

1. Remove the protective cap.
2. Keep the cable straight and unscrew the pressing screw.
3. Remove the sensor.



Note!
When reinstalling the sensor, make sure that the O-ring is still functional.

Medium inlet

Use the bottom fitting for the medium inlet (pos. 5).

Environment

Ambient temperature Ambient temperature not below 0 °C (32 °F).

Process

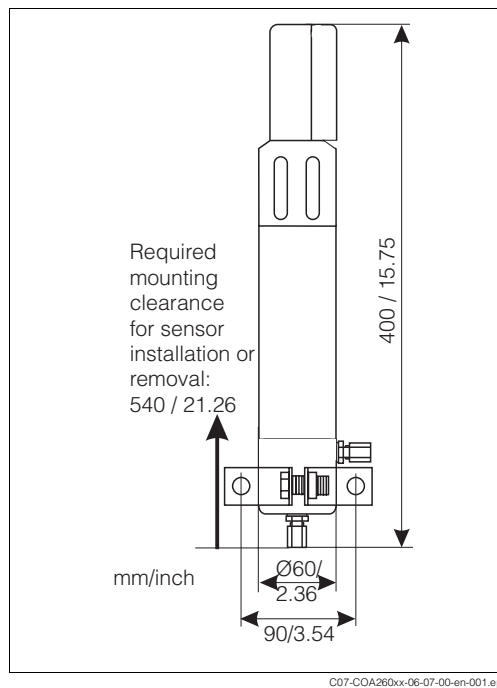
Process pressure max. 10 bar at 50 °C / 145 psi at 122 °F

Process temperature max. 50 °C (122 °F)

Flow rate
min. 200 ml/min
max. 600 ml/min

Mechanical construction

Design, dimensions



Weight approx. 2 kg (4.4 lb)

Materials	Flow vessel	stainless steel 1.4435 (AISI 316L)
	Intermediary	PVC
	Pressing screw	PVC
	Protective cap	PA
	Sealing ring	EPDM

Process connection Pipe connection 6 mm (0.24") outer diameter

Connection parts Threaded joint with screw fitting
G 1/8 threaded connection

Ordering information

Product structure

Version	
A	Material: stainless steel 1.4435 (AISI 316L), for COS 71
Process connection	
0	Process connection: for pipe 6 mm (0.24") outer diameter
COA 260-	complete order code

Scope of delivery

The scope of delivery includes:

- 1 FlowFit W COA 260 flow assembly with clip holder and pressing screw
- 1 Protective cap
- 1 O-ring, inner diameter 32.92 mm (1.30"), thickness 3.53 mm (0.14")
- Technical Information TI 310C/07/en

Accessories

- Kit COA 260, O-ring 32.92 x 3.53 mm (1.30" x 0.14"), EPDM, packed in storage bag; order no. 51512460

Documentation

- Liquisys M COM 223/253, Technical Information TI 199C/07/en; order no. 51500281
- OxyMax W COS 71, Technical Information TI 286C/07/en; order no. 51506697

Endress+Hauser GmbH+Co. KG

Instruments International
P.O. Box 2222
D-79574 Weil am Rhein
Germany

Tel. (07621) 975-02
Tx 773926
Fax (07621) 975 345
e-mail: info@ii.endress.com

Internet:

<http://www.endress.com>

Endress + Hauser
The Power of Know How

